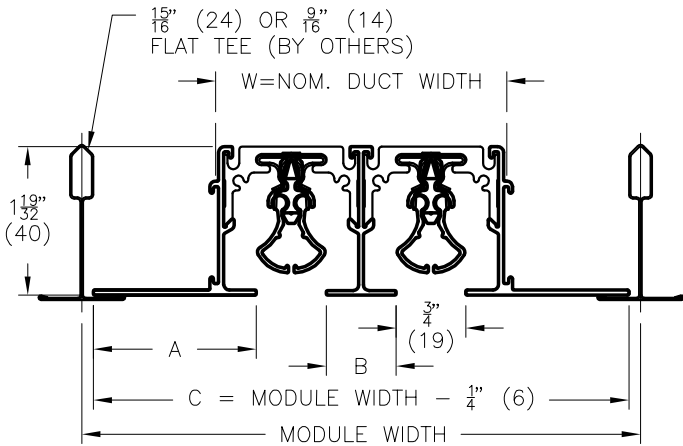
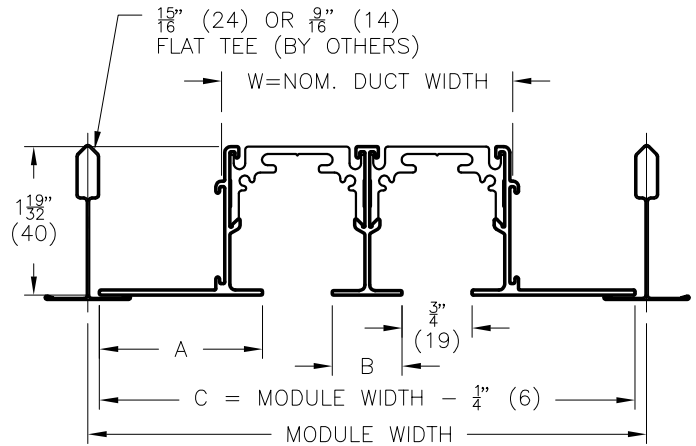


**SDS / SDR LINEAR SLOT DIFFUSER - TYPE 19  
TECHZONE CEILING LAY-IN APPLICATION**



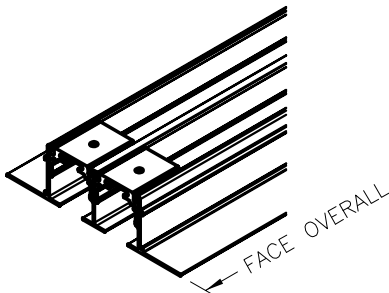
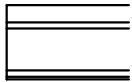
**SDS75**



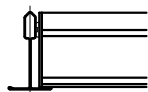
**SDR75**

**END CONDITIONS:**

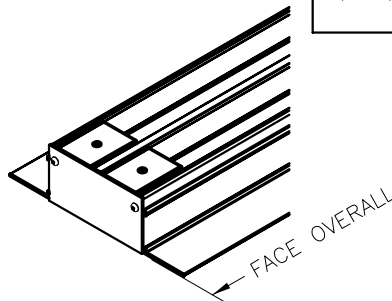
**Y - OPEN END**  
FOR SPlicing TOGETHER  
MULTIPLE SECTIONS



**Z - CLOSED END CAP**



← CEILING MODULE



MODULE		SDS75			
WIDTH	SLOTS	W	A	B	C
4" (102)	1	1 5/8" (41)	1 1/2" (38)	—	3 3/4" (95)
	2	3 1/8" (79)	3/4" (19)	3/4" (19)	3 3/4" (95)
6" (152)	1	1 5/8" (41)	2 1/2" (64)	—	5 3/4" (146)
	2	3 1/8" (79)	1 3/4" (44)	3/4" (19)	5 3/4" (146)
	3	4 5/8" (117)	1" (25)	3/4" (19)	5 3/4" (146)
	4	5 1/8" (130)	5/8" (16)	1/2" (13)	5 3/4" (146)

END CONDITION	FACE LENGTH
Y-Y	CEILING MODULE
Y-Z	CEILING MODULE - 3/16" (5)
Z-Z	CEILING MODULE - 3/8" (10)

**FINISH:**

- PATTERN CONTROLLERS - B17 BLACK
- DIFFUSER FACE - B12 WHITE (OPTIONAL FINISHES AVAILABLE)

**MATERIAL:**

- EXTRUDED ALUMINUM FRAME
- ROLLFORMED STEEL OR EXTRUDED ALUMINUM PATTERN CONTROLLERS ON SDS75

**NOTE:**

- MINIMUM LENGTH 8" (203)
- MAXIMUM SECTION LENGTH 72" (1829)
- FOR USE WITH 4" (102) OR 6" (152) TECHZONE CEILING MODULE SIZES
- 180° AIR PATTERN ADJUSTMENT AVAILABLE
- DIFFUSER FLANGES REST ON TOP OF T-BAR
- USE TYPE 18 SDB / SDA, PLENUM, OR UP / UPL
- FACTORY TOLERANCE ± 1/32" (1)
- SEE INSTALLATION INSTRUCTION I100046

**MODELS:**

SUPPLY DIFFUSERS:  SDS75 - 3/4" SLOT      RETURNS:  SDR75 - 3/4" SLOT

ALL METRIC DIMENSIONS ( ) ARE SOFT CONVERTED. IMPERIAL DIMENSIONS ARE CONVERTED TO METRIC AND ROUNDED TO THE NEAREST MILLIMETER.

<b>PROJECT:</b>		<b>PRICE</b> <sup>®</sup>	
<b>ENGINEER:</b>		247336	<b>SDS / SDR</b> TYPE 19 LINEAR DIFFUSER TECHZONE T-BAR SYSTEM
<b>CUSTOMER:</b>			
<b>SUBMITTAL DATE:</b>	<b>SPEC. SYMBOL:</b>	2013/12/17	